



Fuse Holders & Clips for VR10, VC, VGC

Basic Information:



Products Pic.	Catalog Numbers	Voltage Rating	Current Rating(A)	Withstand Voltage	Fuse sizes (mm)	Number of Poles	Weight & Packaging (g)	Notes
	VRB8-25	690V AC 250V DC	25	2500V AC	8.5×31.5	1 1+N 2 3 3+N	59	
	VRB8-25L	690V AV 250V DC				1 1+N 2 3 3+N		
	VRB10-30	600V AC 690V AC 300V DC	30(UL) 32(IEC)	3000V AC	10×38	1 1+N 2 3 3+N	59	Holder with the same dimensions for class CC is optional
	VCB10-30	1000VDC				1 1+N 2 3 3+N		
	VRB10-30L*	600V AC 690V AC 300V DC				1 1+N 2 3 3+N	59	Holder with the same dimensions for class CC is optional
	VCB10-30L*	1000V DC						
	VCB10-30×15	1500V DC	30	3000V AC	10×85	1	100	
	VRB14-63	690V AC 700V AC 1500V DC	63	2500V AC	14×51	1 1+N 2 3 3+N	192	
	VRB14-63L*					1 1+N 2 3 3+N		
	VRB14-63S	1000V AC 1500V DC	63	2500V AC	14×51	1 2 3		
	VRB22-125	690V AC 700V AC 450V DC	125	2500V AC	22×58	1 1+N 2 3 3+N	280	
	VRB22-125*					1 1+N 2 3 3+N		

Notes: \*(WITH LED)  
a. Storage temperature: -5 to +40  
b. Storage humidity: 35% to 75%  
c. For indoor use



● Mechanical Dimensions:

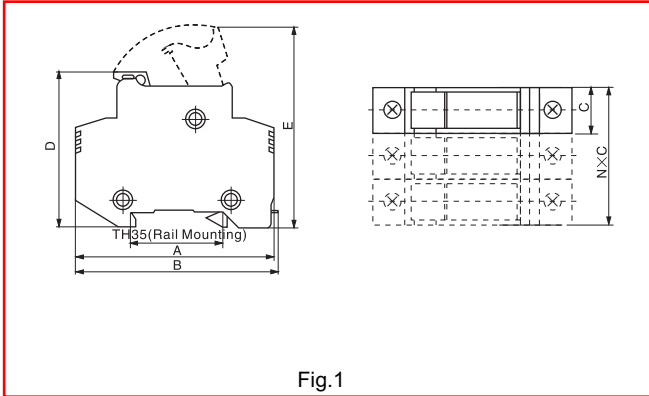


Fig.1

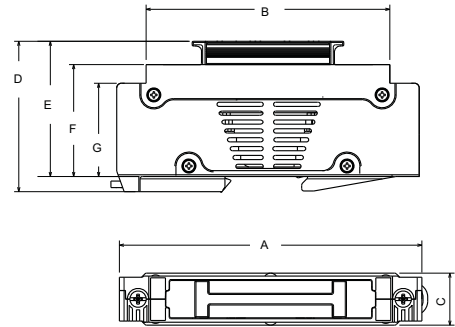


Fig.2

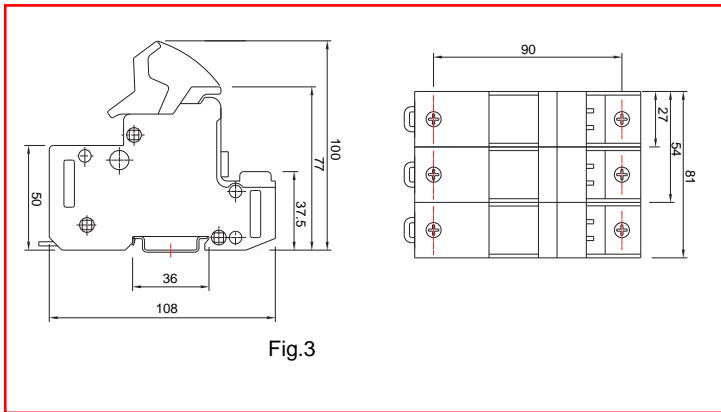


Fig.3

Catalog Numbers	Ref. Fig	Current Rating(A)	Mechanical Dimensions(mm)						
			A	B	C	D	E	F	G
VRB8-25/VRB8-25L	1	25	81.7	87.5	16	68.5	86	-	-
VRB10-30/VRB10-30L	1	30(UL)	76.5	78.7	17.5	58	78.5	-	-
VCB10-30/VCB10-30L		32(IEC)							
VCB10-30×15	2	30	127	103	19	64	69	49.5	41.5
VRB14-63/VRB14-63L	1	63	94.6	96.7	25.4	61.4	90	-	-
VRB14-63S	3	63	shown in Fig.3						
VRB22-125/VRB22-125L	1	125	126	128	35.3	76	103	-	-